



# PRECEPT

2014 MOTORHOMES BY JAYCO

THE FAST LANE TO **CLASS A** COMFORT.



2014 PRECEPT | MOTORHOMES BY JAYCO



Read more about our industry-leading **2-YEAR WARRANTY** on the back cover!



# PRECEPT<sup>®</sup>

**You know authority when you see it.** Now, imagine what it feels like to command some of it. Introducing the 2014 Jayco Precept, your ticket to Class A luxury. Built on an enhanced Ford F53 chassis, Precept delivers a remarkable blend of handling and comfort. Follow our lead.

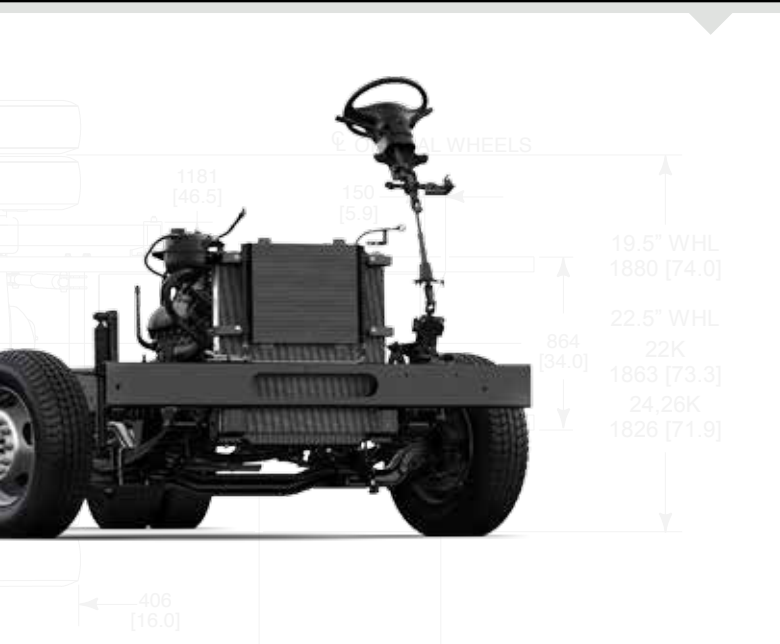




PRECEPT 31UL | FRENCH VANILLA

Ford F53 chassis with Jayco's exclusive JRide package

Ergonomic, shallow dash with expansive windshield



## FIND YOUR COMFORT ZONE.



### 40" EXTERIOR TV

Tune in to your favorite TV show — outdoors — thanks to a standard 40" LED TV with radio and CD player.



### MEGA STORAGE

Precept features several mega pass-thru storage compartments with lockable slam latches.



### FRAMELESS WINDOWS

Precept boasts frameless windows, an industry-first standard in Class A gas motorhomes.



Spacious kitchen design with sliding countertop extension

Dream Dinette, motorized 40" TV lift and LED lighting





PRECEPT 31UL | FRENCH VANILLA

Private bedroom with Denver Mattress and night stands

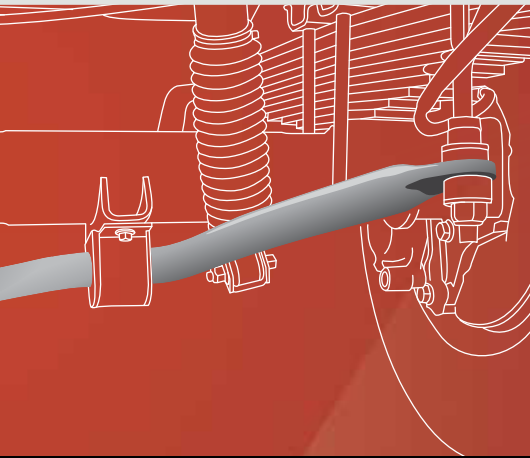
His-and-her closet, 10 deep drawers and a 22" LED TV



# JRIDE

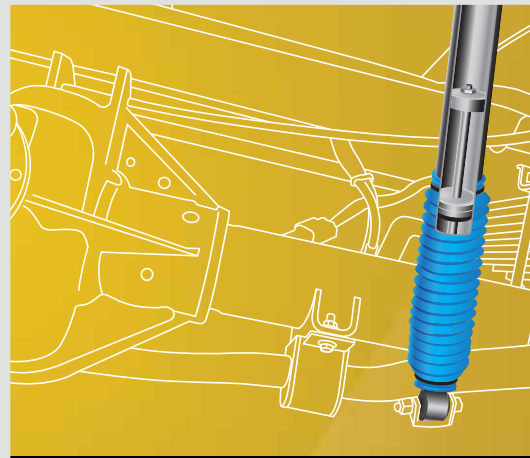
## RIDE AND HANDLING. DEFINED.

At Jayco, we believe the journey is just as important as the destination, which is why we're introducing an industry-first Ride and Handling package — the all-new Jayco exclusive JRide. Packed with ride-enhancing upgrades, the JRide is the most advanced ride on the market. Get ready for a drive that'll move you. [JAYCO.COM/JRIDE](http://JAYCO.COM/JRIDE)



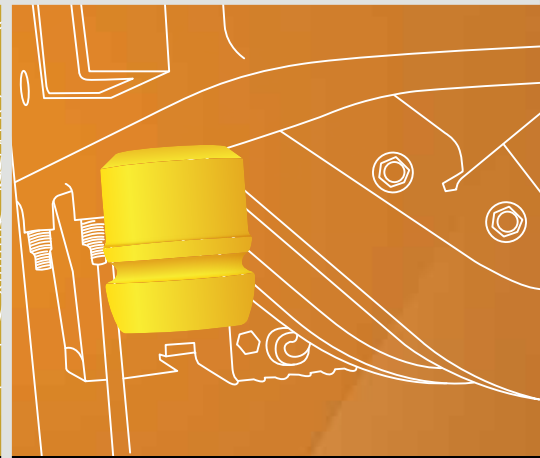
### STABILIZER BARS

- 1 Precept's dual stabilizer bars raise and lower each side of the unit to similar heights, reducing roll when cornering. Most Class As just have one bar.



### BILSTEIN SHOCKS

- 2 Bilstein shock absorbers, standard on Ford's F53 chassis, reduce bouncing and eliminate excessive sway. A unique monotube design doesn't trap heat, reducing shock failure.



### JOUNCE BUMPERS

- 3 Variable-rate jounce bumpers, positioned under the frame, compliment the Bilstein shock absorbers and dual stabilizer bars, completing Precept's smooth ride.

## Superior construction meets a superior ride.



\* See warranty policy for details

### WALL CONSTRUCTION

- 4 Vacuum bonded: Features laminated layers of high-gloss fiberglass, luan, aluminum framing, R-7 bead-foam insulation, vinyl paneling
- 5 Fiberglass front and rear cap: Boasts an industry-best 30-month warranty (repair or replacement of any defective cap 30 months after manufacture date)\*
- 6 Frameless windows: An industry-first standard on Class A gas motorhomes

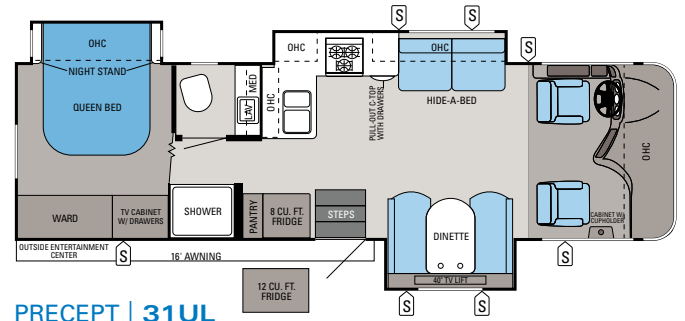
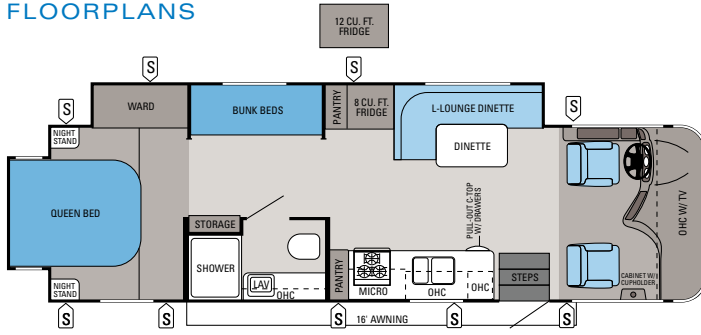
### FLOOR CONSTRUCTION

- 7 Vacuum bonded: Features laminated layers of Darco underbelly, welded aluminum frame, R-9 bead-foam insulation, 5/8" Structurwood
- 8 Welded aluminum frame: Lighter and more corrosion-resistant than competing steel frames, provides more cargo capacity

### ROOF CONSTRUCTION

- 9 Vacuum-bonded layers: Features layers of fiberglass, 5" arched aluminum trusses, 1/4" plywood decking, R-24 bead-foam insulation, vinyl soft-touch pad
- 10 Seamless fiberglass shield: Is superior to competing synthetic rubber roofs that require after-market kits to revitalize faded rubber

## FLOORPLANS



### PRECEPT | 29UM

Exterior Length: 32' 3" Exterior Height: 149" Sleeps: 8

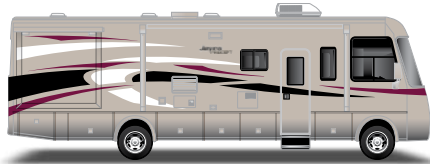
### PRECEPT | 31UL

Exterior Length: 32' 3" Exterior Height: 149" Sleeps: 6

## EXTERIOR COLOR CHOICES



ATLANTIS BLUE



CRIMSON RED

## INTERIOR DÉCOR CHOICES

### CAPPUCCINO



- 1 Sofa and Driver/ Passenger Seats
- 2 Accent
- 3 Flooring
- 4 Carpet

### FRENCH VANILLA



## PRECEPT STANDARDS AND OPTIONS

### CUSTOMER VALUE PACKAGE

*JRide* Ride and Handling package:  
Bilstein shocks, dual sway bars and variable-rate jounce bumpers  
Automatic hydraulic leveling jacks  
Diamond Shield paint protection  
Back-up and side-view cameras with monitor  
Touch-screen, in-dash sound system with built-in GPS, CD/DVD, MP3 and input jack  
32" front cab TV (29UM)  
Exterior entertainment center with 40" LED TV and single-disc FM radio  
40" LED living room TV (31UL)  
Solid-surface kitchen countertops with integrated sink  
400-watt inverter  
Tankless water heater  
Day/night roller shades  
Electric patio awning with LED lights  
Slideout cover awnings

### STANDARD EXTERIOR EQUIPMENT

Champagne high-gloss fiberglass walls  
Seamless crowned fiberglass roof  
One-piece fiberglass front and rear cap  
Bead-foam insulation (R-24 max roof, R-9 max floor, R-7 max walls)  
Single-pane frameless windows  
Lockable pass-through storage compartments  
4,000-watt Onan MicroQuiet Genset  
12V house battery  
30-amp power cord  
12V demand water pump

### STANDARD INTERIOR EQUIPMENT

84" interior ceiling height with padded vinyl ceiling  
Raised-panel cabinet doors throughout  
Ball bearing drawer guides, 75-lb. capacity  
3-burner range with 9,000-BTU SuperBurner and piezo igniter

Convection microwave oven  
8 cu. ft. gas/electric refrigerator  
Water purification system  
Dream Dinette  
Lap safety belts on all seats in living area  
Single-ducted 13,500-BTU air conditioner  
Auto-ignition 31,000-BTU ducted furnace  
Cable TV hookup with RG6 coax  
Digital antenna with signal booster  
Prep for satellite dish  
LED lights throughout  
Bathroom powered roof vent with wall switch  
One-piece shower with glass door, skylight and light  
Marine toilet with foot flush  
Queen-sized bed with Denver mattress  
Mega under-bed storage  
Bedroom 22" LED TV

### STANDARD DRIVING EQUIPMENT

6-way power driver and passenger seat  
Ford F53 18,000-lb. GVWR chassis  
6.8L Triton V-10 362 HP engine with electronic fuel injection and 457-lbs./ft. torque  
5-speed automatic TorqShift transmission with overdrive and tow haul mode  
56-lb. 16.5-gal. propane tank  
12V chassis battery  
130-amp alternator  
19.5" radial tires  
Front and rear disc, 4-wheel anti-lock brakes  
5,000-lb. rear hitch receiver with dual connector 7-pin plug  
Flush-mount LED marker lights

### OPTIONS

5,500-watt Onan Marquis Gold Genset with 50-amp service  
2nd 13,500-BTU air conditioner  
12 cu. ft. four-door refrigerator

## SPECIFICATIONS

FLOORPLAN	EXT. LENGTH	EXT. WIDTH	EXT. HEIGHT (WITH A/C)	INT. HEIGHT	GROSS VEHICLE WEIGHT RATING (LBS.)	GROSS COMBINED WEIGHT RATING (LBS.)	ENGINE/SIZE	WHEEL BASE	FURNACE AUTO-IGNITION (BTUS)	FRESH WATER CAPACITY (GALS.)	GRAY WASTE WATER CAPACITY (GALS.)	BLACK WASTE WATER CAPACITY (GALS.)
29UM	32' 3"	101"	149"	84"	18,000	23,000	6.8L TRITON EFI V10	190	31M	71.5	41	51.5
31UL	32' 3"	101"	149"	84"	18,000	23,000	6.8L TRITON EFI V10	190	31M	71.5	41	51.5

**Gross Vehicle Weight Rating (GVWR):** The maximum permissible weight of the motorhome, including the Unloaded Vehicle Weight (UUV) plus passengers, personal items, all cargo, fluids, options and dealer-installed accessories. The GVWR is equal to or greater than the sum of the UUV and the Cargo Carrying Capacity.

**Gross Combined Weight Rating (GCWR):** The maximum allowable combined weight of the motorhome used as a tow vehicle and the attached towed vehicle.

It is important for your safety and enjoyment that you are aware of the weights and tow ratings of the RV you select. Consult a competent advisor for questions or advice. Whether you are new to RVing or a veteran, get a feel for the performance of your RV

before heading out on the roadways. When you tow a vehicle with your RV, you must drive differently than when you drive a single vehicle. Practice hooking up, driving, backing up and braking in a safe environment or seek out professional instruction. Jayco affixes a weight label to each RV which lists weight information for that vehicle. Refer to that label to verify the vehicle will meet your requirements. See specifications chart above.

# 2-YEAR WARRANTY

Peace of mind comes standard.



**Nobody offers a better warranty than Jayco.** With our exclusive 2-year Co-Pilot Warranty, the only strings we attach are those that deliver the ultimate in reliability. At Jayco, your peace of mind is our priority, and that's the Jayco difference.

\*For a copy of our 2-year limited warranty with full terms and conditions, please contact your local Jayco dealer or visit [Jayco.com](http://Jayco.com).

## 300 JAYCO DEALERS

A four-decade strong network.

From the sales experience to service after the sale, we consider our dealers to be an important part of the Jayco family. Establishing a solid relationship with your local Jayco dealer is a key component in the enjoyment of your new Jayco. By purchasing from a local dealer, you will have a convenient location for sales, parts and service support. We hope you consider them a part of your camping family.

Your local dealer

## 1-YEAR FREE

Roadside Assistance

Travel worry-free with Jayco's Customer First Roadside Assistance program, yours at no cost during your first year of ownership. This program is offered through Coach-Net, the country's largest RV emergency road service, and gives you immediate access to assistance.

**Coach-Net**  
RV Technical & Roadside Assistance



Generations of family fun.

**THE JAYCO STORY BEGAN IN 1968 WITH OUR FAMILY—THE BONTRAGERS.** Lloyd Bontrager created an innovative, easy-to-use lifter system that led to a better fold-down camper. Loaded with more conveniences, he believed his camper would bring families closer together.

Since then, Jayco has helped generation after generation create family stories — good, old-fashioned family fun built around campfires with a Jayco RV nearby. At Jayco, we strive to build family-friendly products that will outlast just about everything but your memories. We'd love nothing more than to be a part of your family story. Join us in our generations of family fun.

**eco** advantage™

Jayco's long-term commitment to protecting the environment.



Scan this QR code with your smartphone to watch a video about our efforts and the impact we're making on our planet.  
[jayco.com/ecoadvantage](http://jayco.com/ecoadvantage)

Follow us on



Jayco, Inc., P.O. Box 460, Middlebury, IN 46540, [www.jayco.com](http://www.jayco.com) 

See dealer for further information and prices. All information in this brochure is the latest available at the time of publication approval. Jayco reserves the right to make changes and to discontinue models without notice or obligation. Photos in this brochure may show optional equipment and props for photography purposes. RVs built for sale in Canada may differ to conform to Canadian codes. ©2013 Jayco, Inc. 14-PRCT-PL 0214-10K Printed in U.S.A.